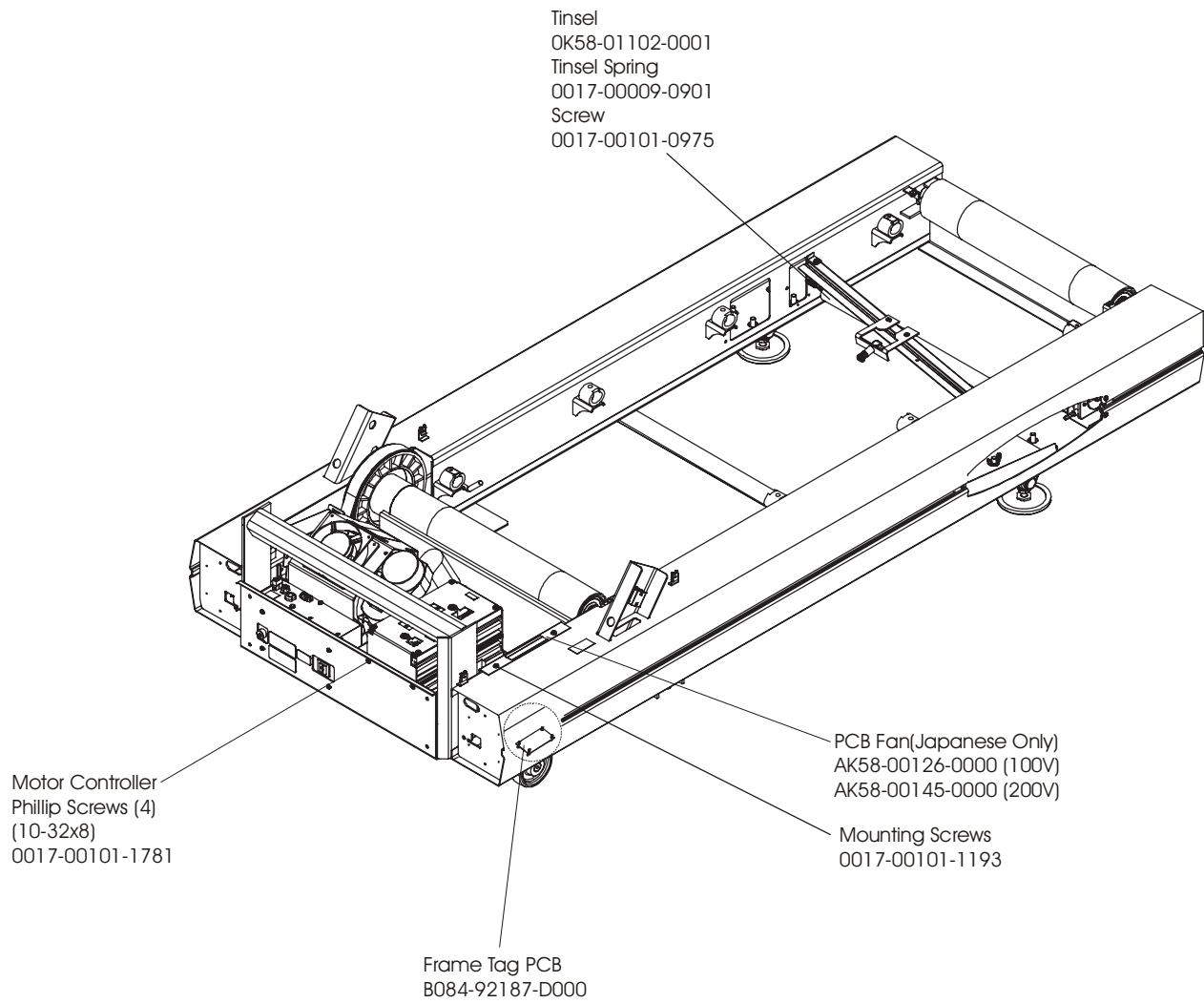


TR91 Treadmill Frame Assembly

TR91-0100-34

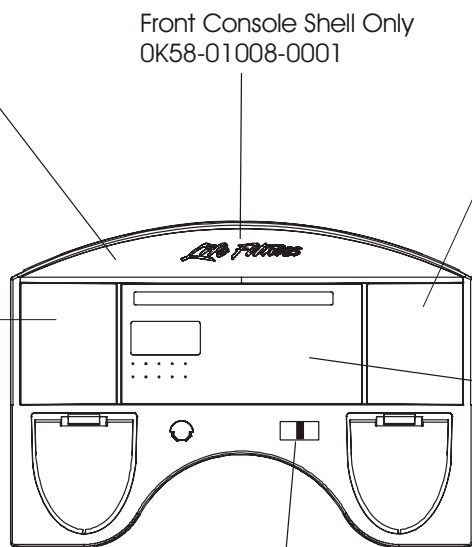


TR91 Treadmill Console (External View)

TR91-0100-34

- Console Assembly
- AK58-00057-0001 Eng/Met
- AK58-00057-0003 Ger/Met
- AK58-00057-0004 Spn/Met/Eur
- AK58-00057-0005 Spn/Met
- AK58-00117-0006 Jap/Met
- AK58-00057-0007 Frn/Met/Eur
- AK58-00057-0008 Itl/Met
- AK58-00057-0009 Dut/Met
- AK58-00057-0010 Por/Met
- AK58-00057-0011 Frn/Eur

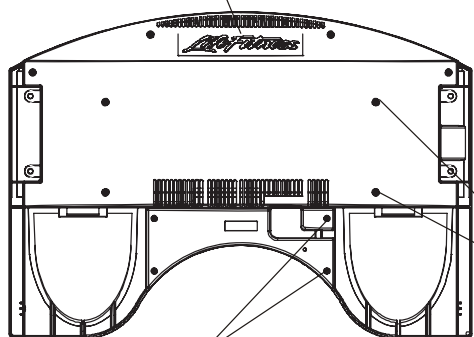
- Workout Profiles
- OK58-01210-0001 Eng/Met
- OK58-01210-0003 Ger/Met
- OK58-01210-0004 Spn/Met/Eur
- OK58-01210-0005 Eng/Met/Eur
- OK58-01220-0006 Jap/Met
- OK58-01210-0007 Frn/Met/Eur
- OK58-01210-0008 Itl/Met
- OK58-01210-0009 Dut/Met
- OK58-01210-0010 Por/Met
- OK58-01210-0011 Eng/Met/Eur



- Zone Training Overlay
- OK58-01209-0001 Eng/Met
- OK58-01209-0003 Ger/Met
- OK58-01209-0004 Spn/Met/Eur
- OK58-01209-0005 Eng/Met/Eur
- OK58-01221-0006 Jap/Met
- OK58-01209-0007 Frn/Met/Eur
- OK58-01209-0008 Itl/Met
- OK58-01209-0009 Dut/Met
- OK58-01209-0010 Por/Met
- OK58-01209-0011 Eng/Met/Eur
- Tray/Switch w/Overlay Assy
- AK58-00162-0001 Eng/Met
- AK58-00162-0003 Ger/Met
- AK58-00162-0004 Spn/Met/Eur
- AK58-00162-0005 Eng/Met/Eur
- AK58-00163-0006 Jap/Met
- AK58-00162-0007 Frn/Met/Eur
- AK58-00162-0008 Itl/Met
- AK58-00162-0009 Dut/Met
- AK58-00162-0010 Por/Met

- Stop Switch Assembly
- GK58-00002-0007

- Rear Console Decal
- OK58-01129-0000



- Phillips Screw-4
- (8-32x6)
- 0017-00101-0776

- Phillips Screw-8
- (10-32x8)
- 0017-00101-1288

- Rear Console
- OK58-01009-0000

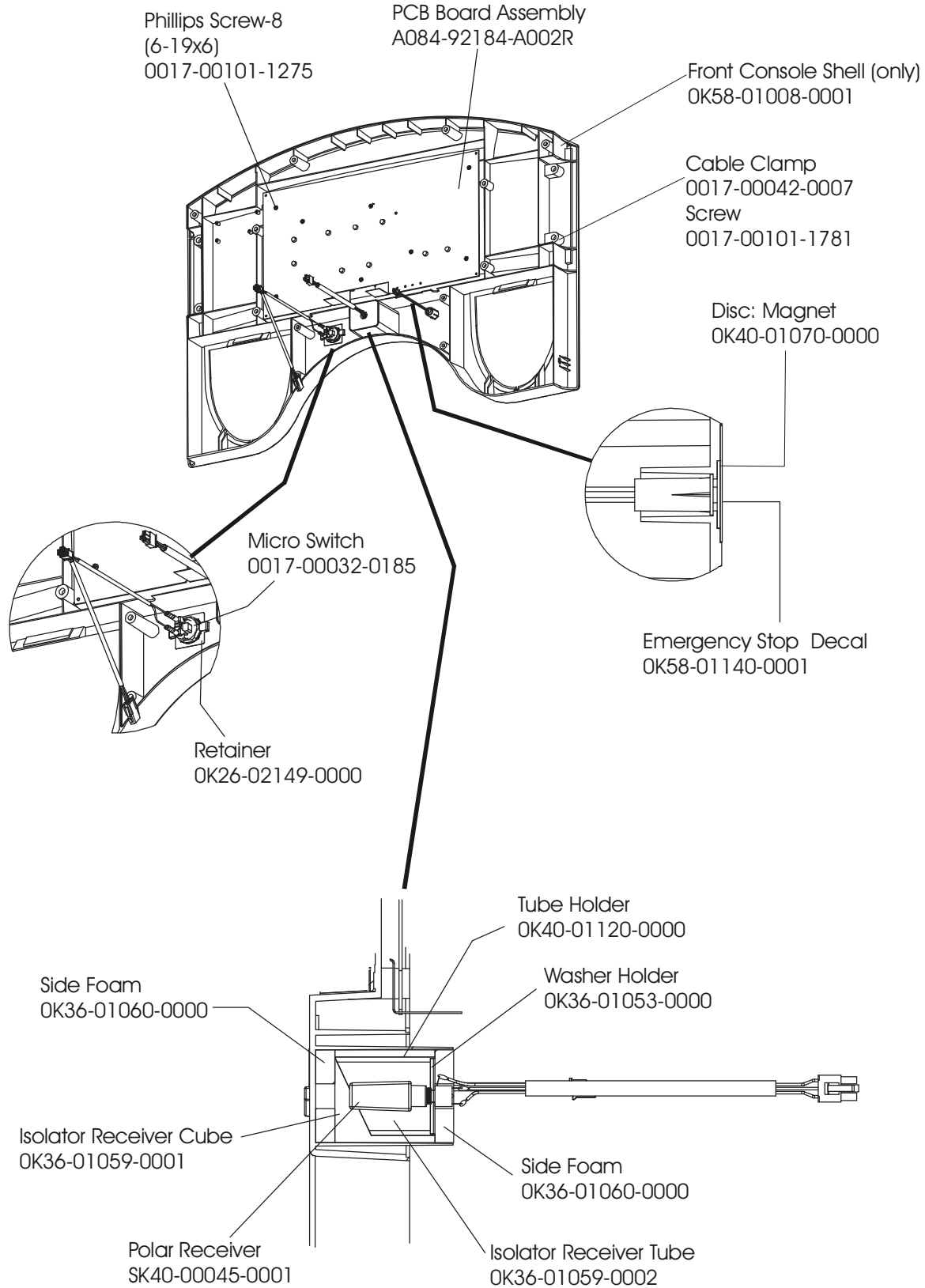


- Switch Cover w/Tether
- AK58-00096-0000
- Cover Only
- OK58-01087-0000
- Anchor Washer
- OK58-01158-0000

- Stop Key w/Tether
- AK58-00091-0000

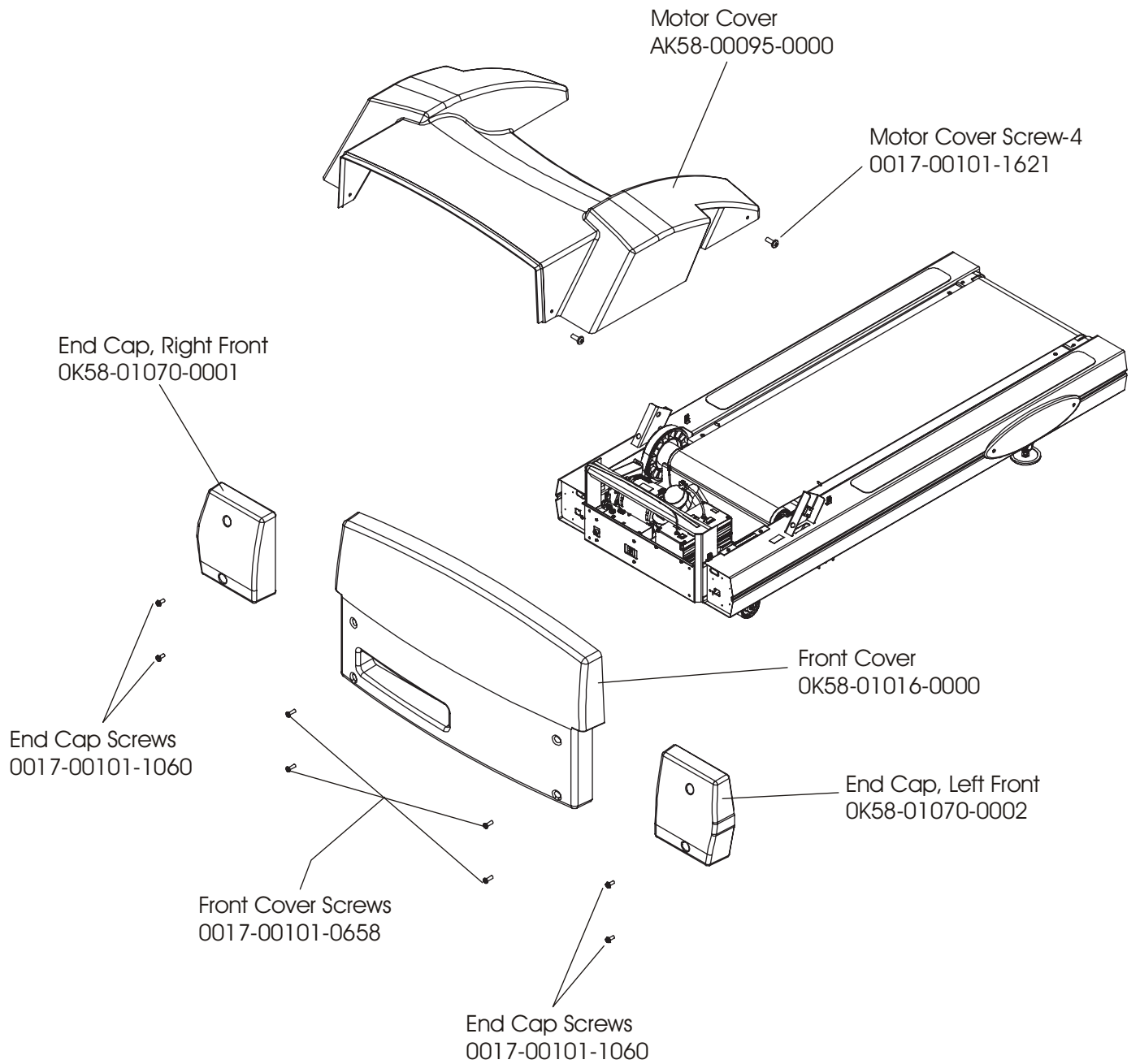
**TR91 Treadmill
Console (Internal View)**

TR91-0100-34



TR91 Treadmill
Covers, End Caps, Hardware

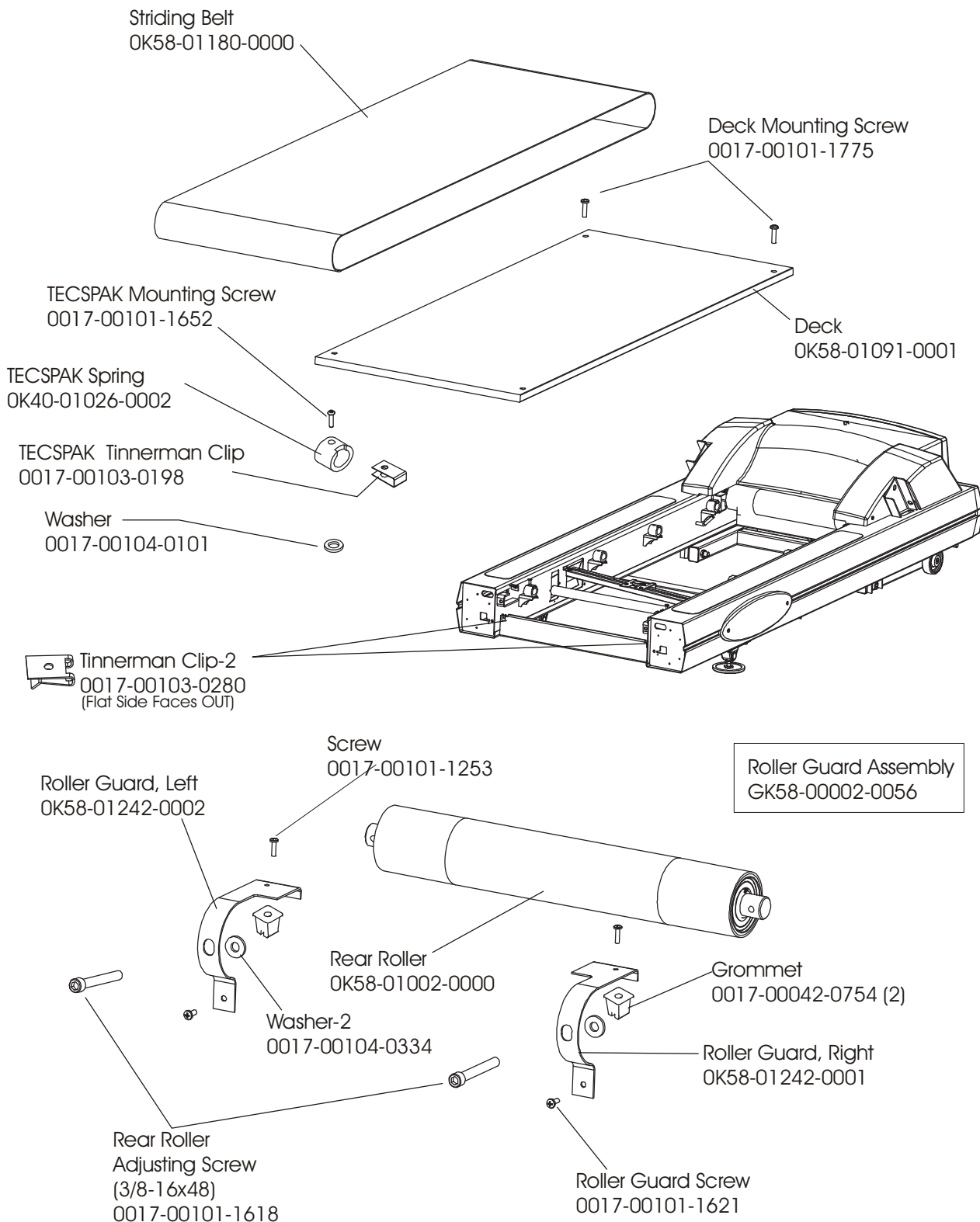
TR91-0100-34



TR91 Treadmill

Belt, Deck, Rear Roller

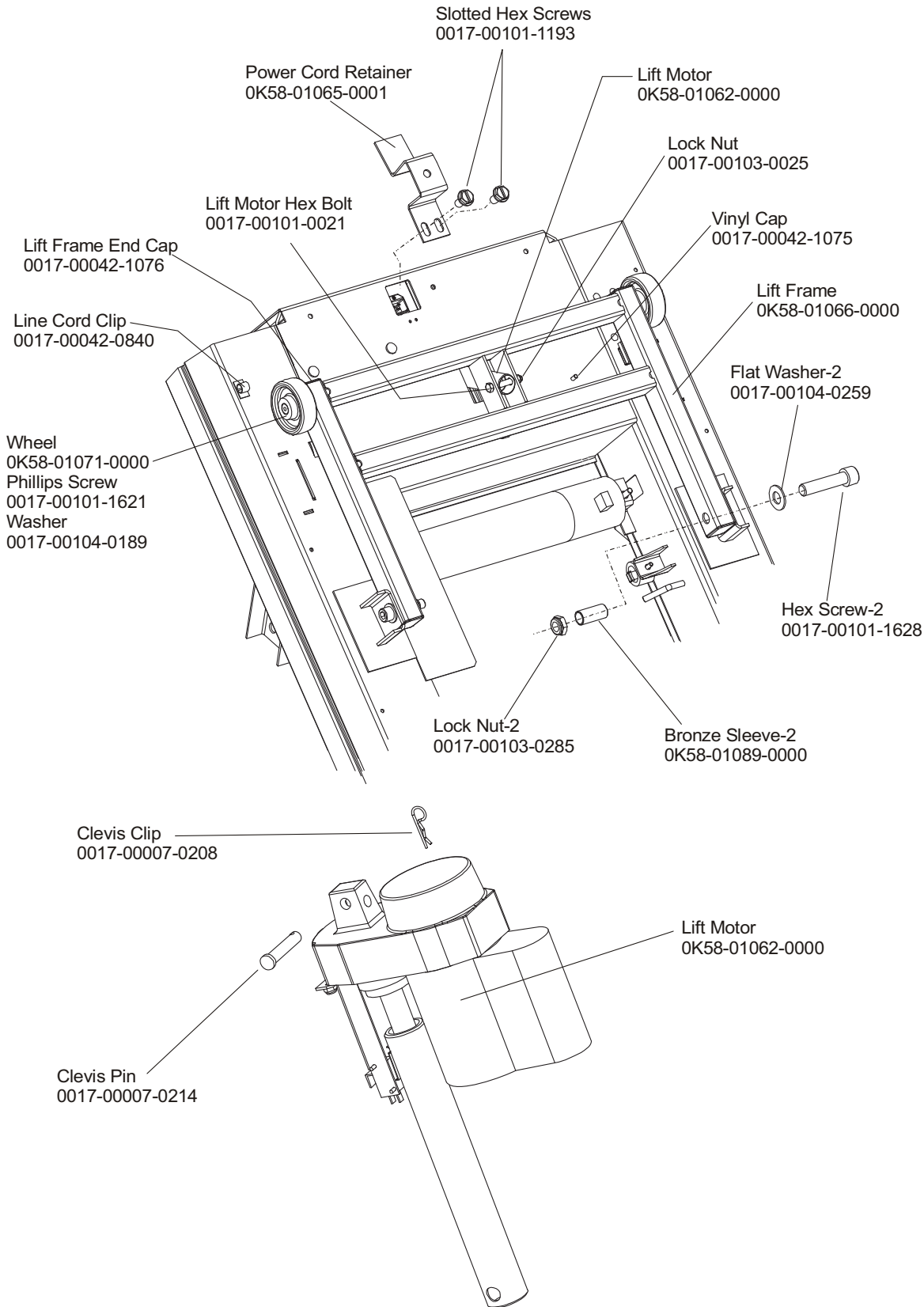
TR91-0100-34



TR91 Treadmill

Lift Motor and Lift Frame

TR91-0100-34

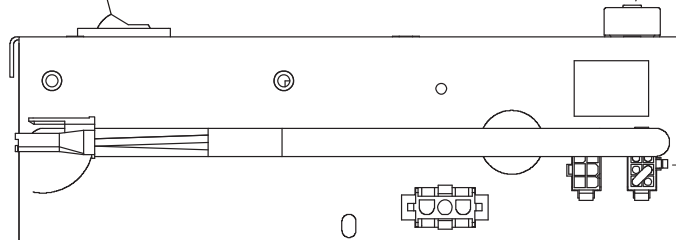


TR91 Treadmill Power Box Assembly

TR91-0100-34

ON/OFF
Power Switch
0017-00032-0198

Circuit Breaker 3-AMP
0017-00003-0700
Circuit Breaker Clip
0017-00003-0671



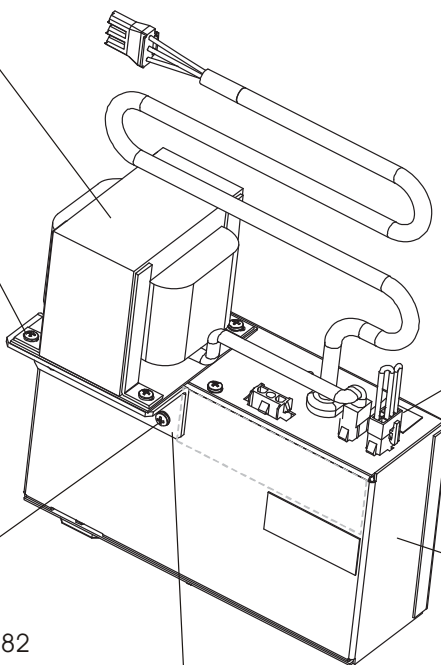
TOP VIEW

Transformer (EURO Only)
0017-00003-0905

Phillips Pan
Head Screw
(8-32x6)
0017-00101-0162

Jumper Line
AK58-00120-0004 - 240V
AK58-00120-0003 - 230V
AK58-00120-0002 - 200V
AK58-00120-0001 - 100V
AK58-00120-0000 - 120V

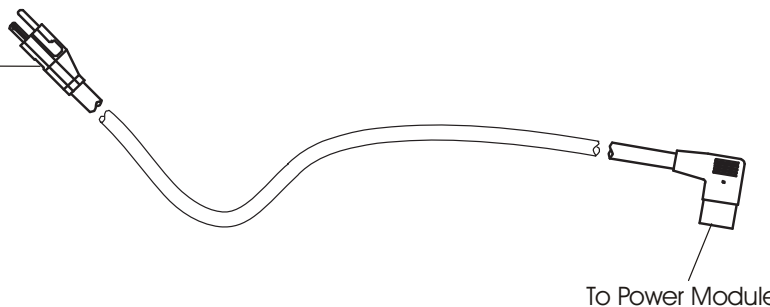
Phillips Pan
Head Screw
(8-32x8)
0017-00101-1182



Power Box Assembly
AK58-00124-0001 - 240V
AK58-00124-0002 - 220-230V
AK58-00124-0006 - 200V
AK58-00124-0005 - 100V
AK58-00124-0000 - 120V

Transformer Bracket
OK58-01165-0000

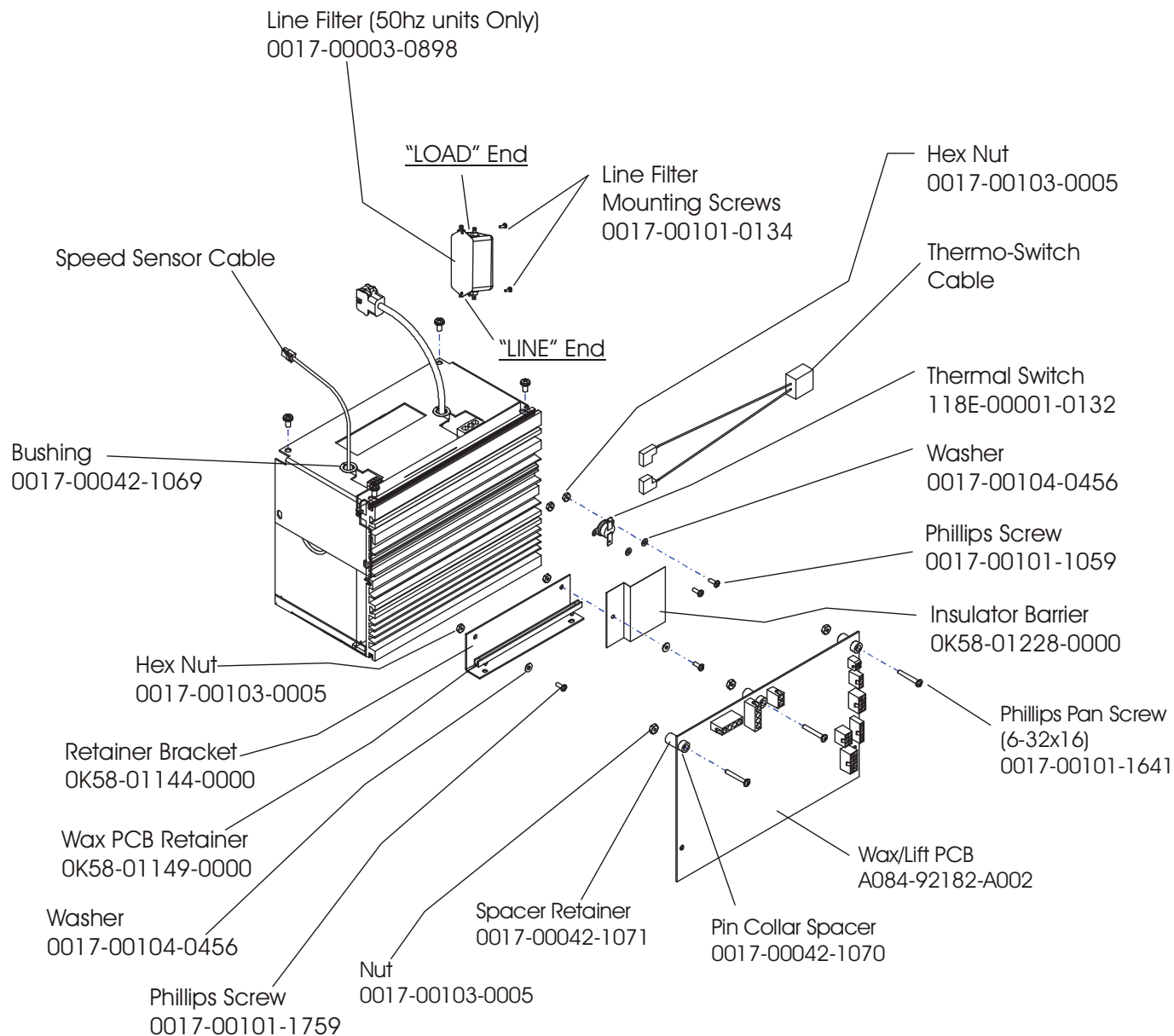
Line Cord
(Plug End Changes)
0017-00003-0947 12' 120v Line Cord
0017-00003-0923 (NLA)
0017-00003-0974 Domestic
0017-00003-0948 12' 220v Line Cord
0017-00003-0915 RT Angle Plug
0017-00003-0781 220v/60Hz
0017-00003-0696 Continental
0017-00003-0890 UK



TR91 Treadmill Motor Controller w/PFC

TR91-0100-34

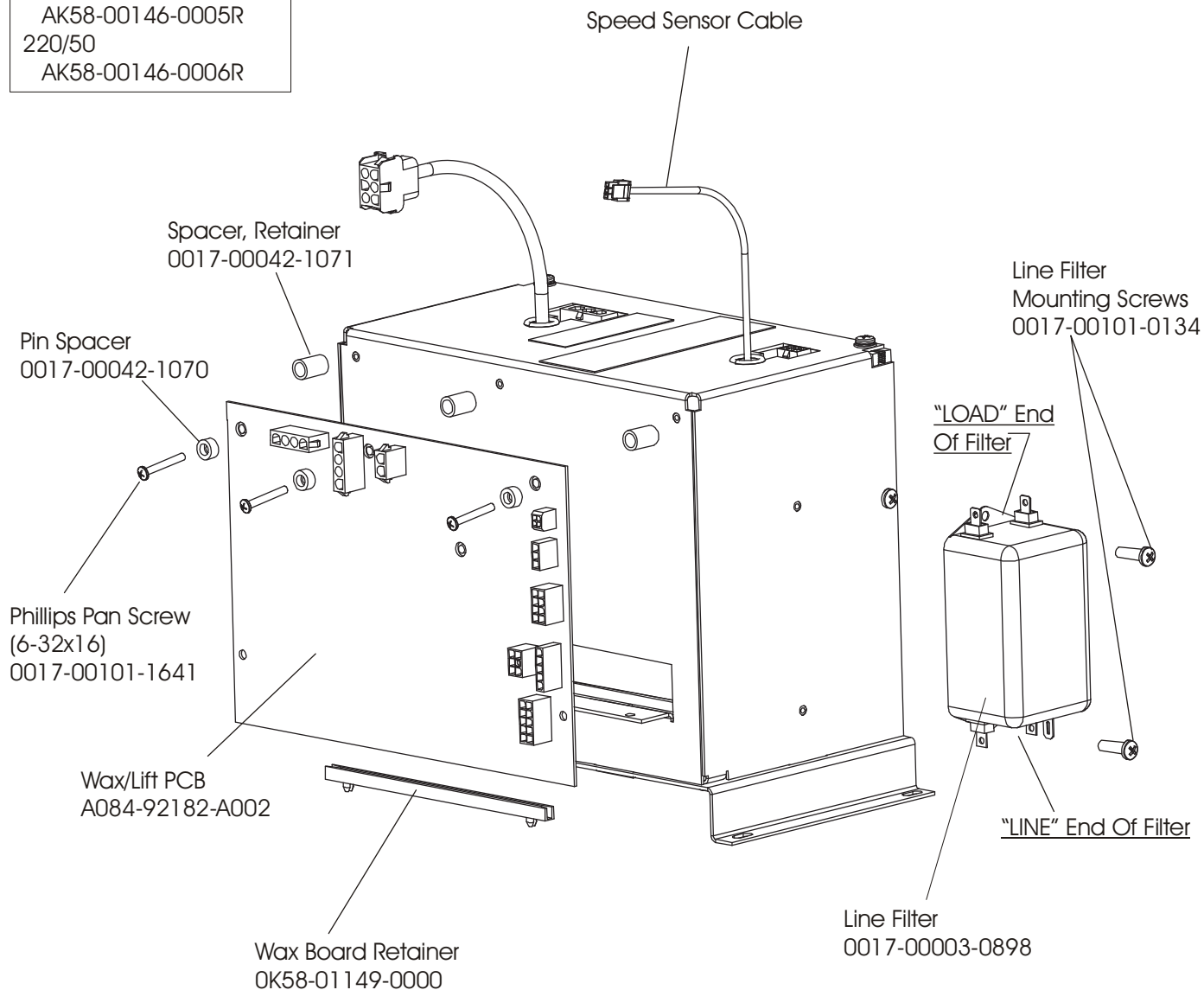
Motor Controller w/PFC (Jap/Met)
100/50
AK58-00147-0001R
200-50
AK58-00147-0002R



**TR91 Treadmill
Motor Controller w/o PFC**

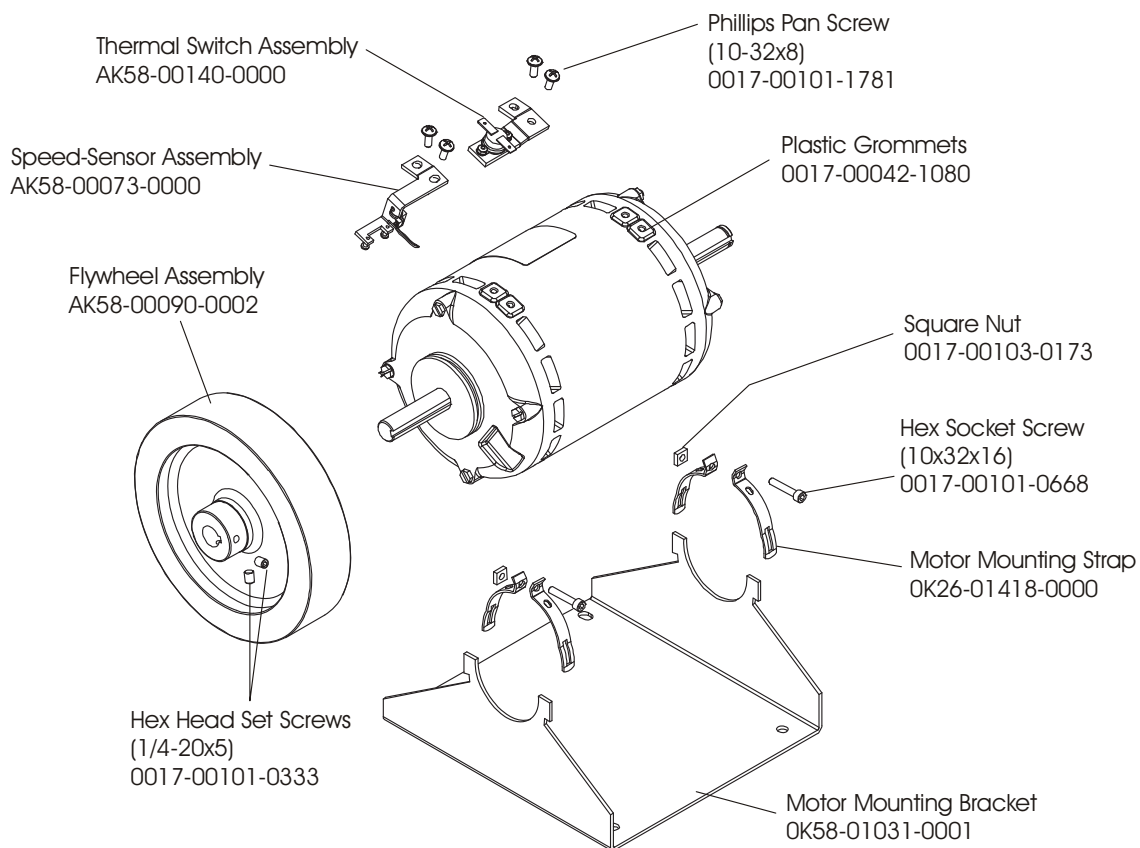
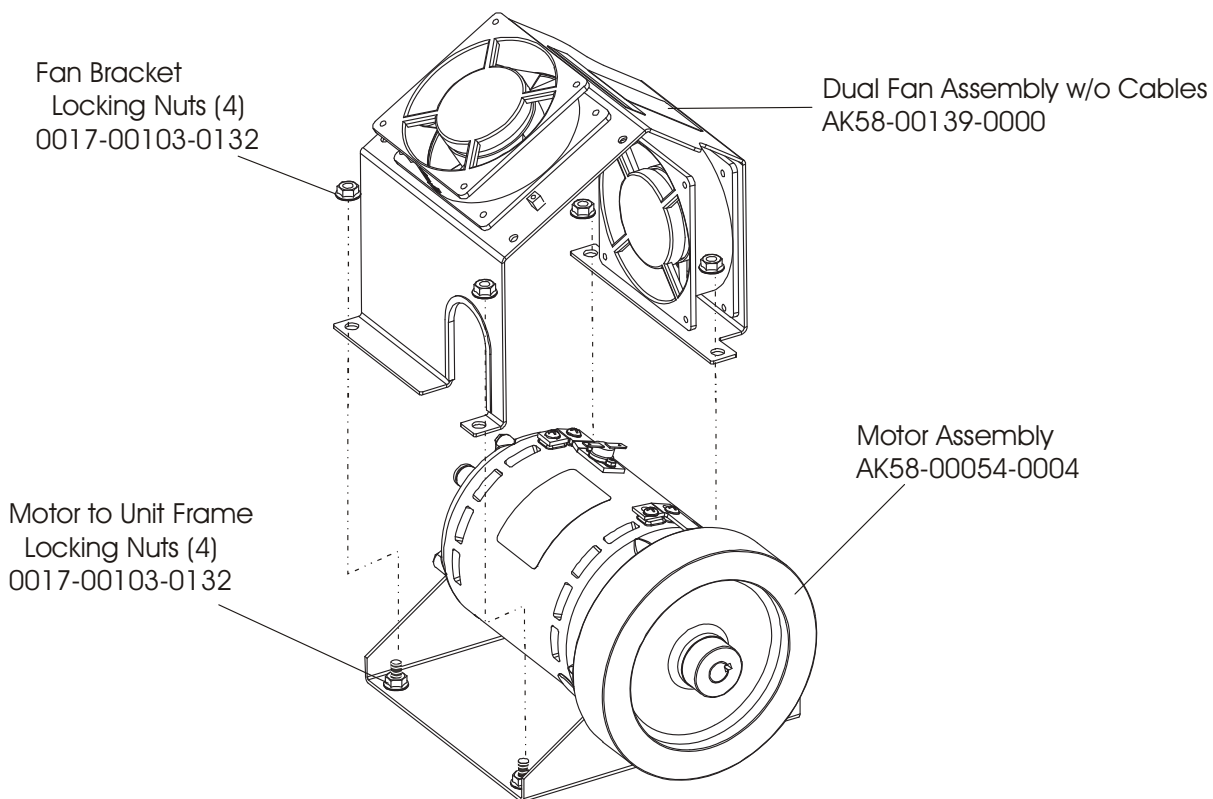
TR91-0100-34

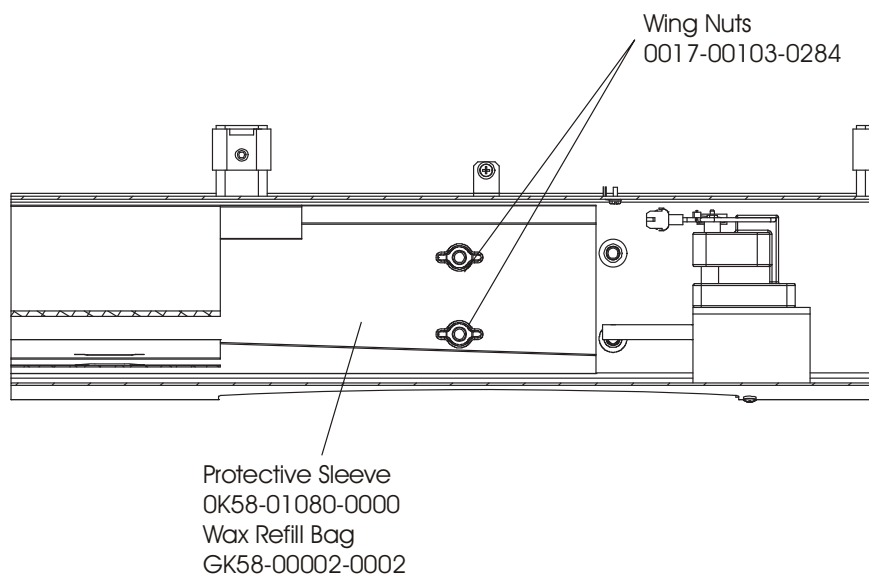
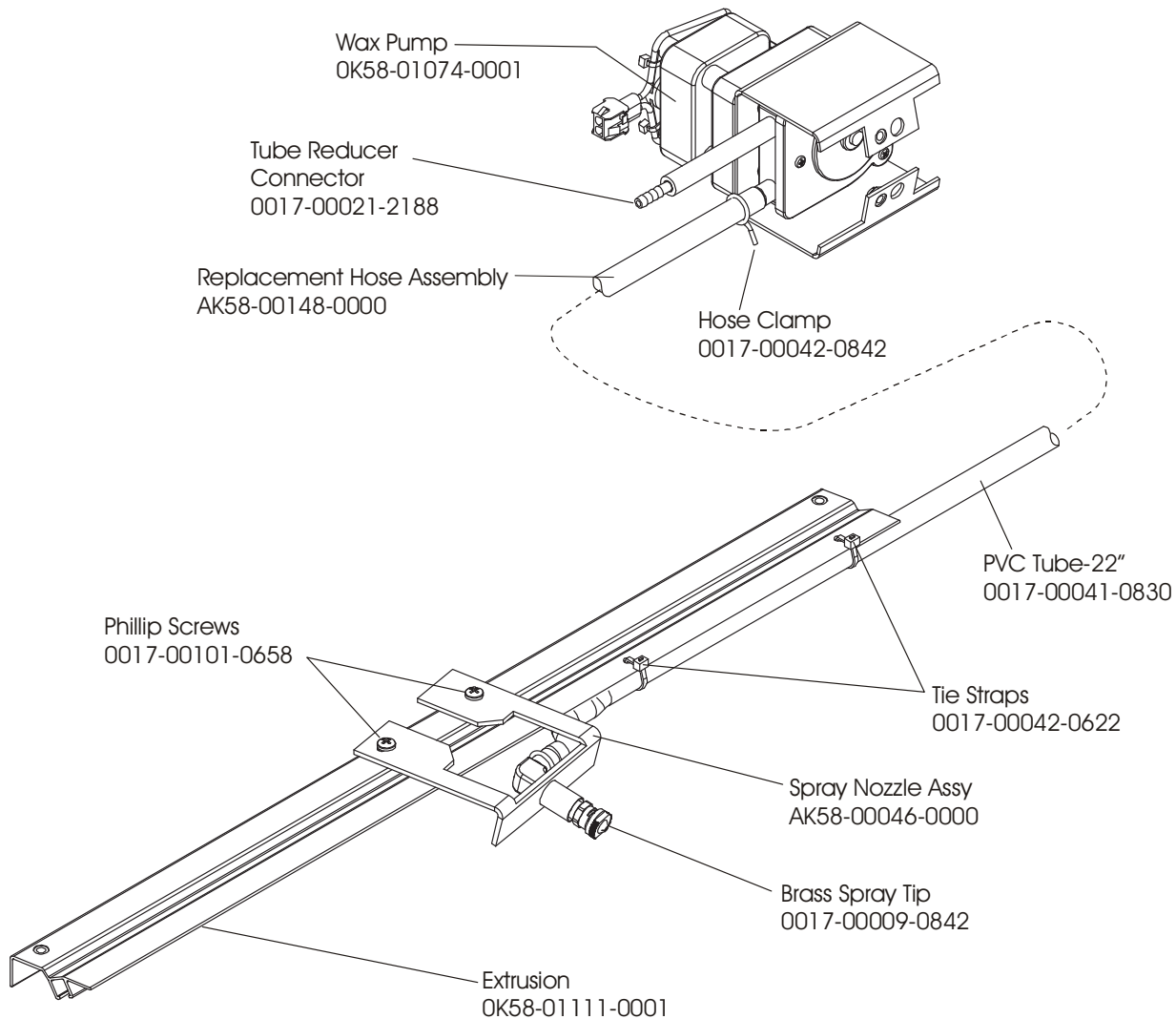
Motor Controller w/o PFC
120/60
AK58-00146-0004R
220/60
AK58-00146-0005R
220/50
AK58-00146-0006R



TR91 Treadmill Motor and Fan Assemblies

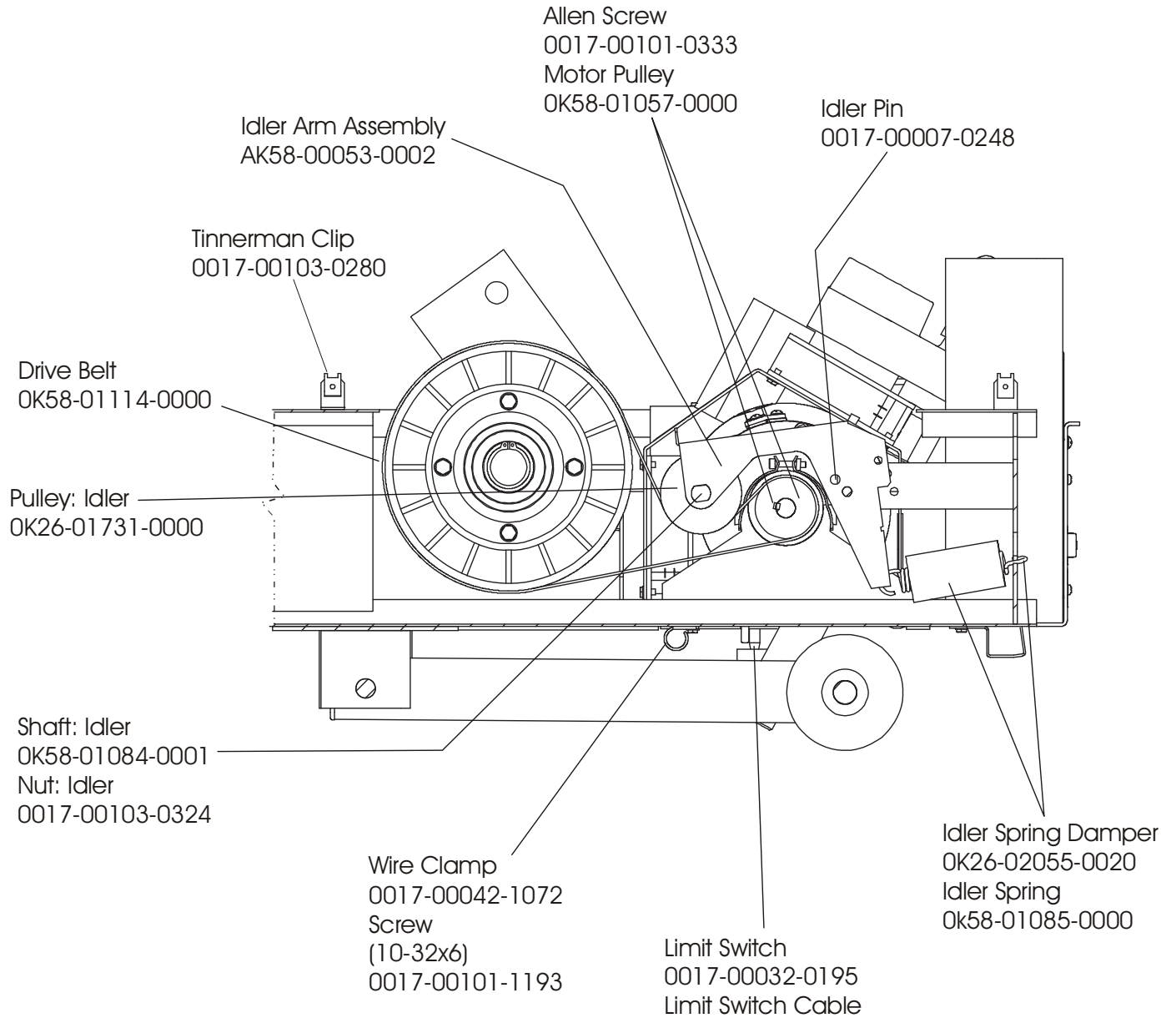
TR91-0100-34





**TR91 Treadmill
Idler Arm Assembly**

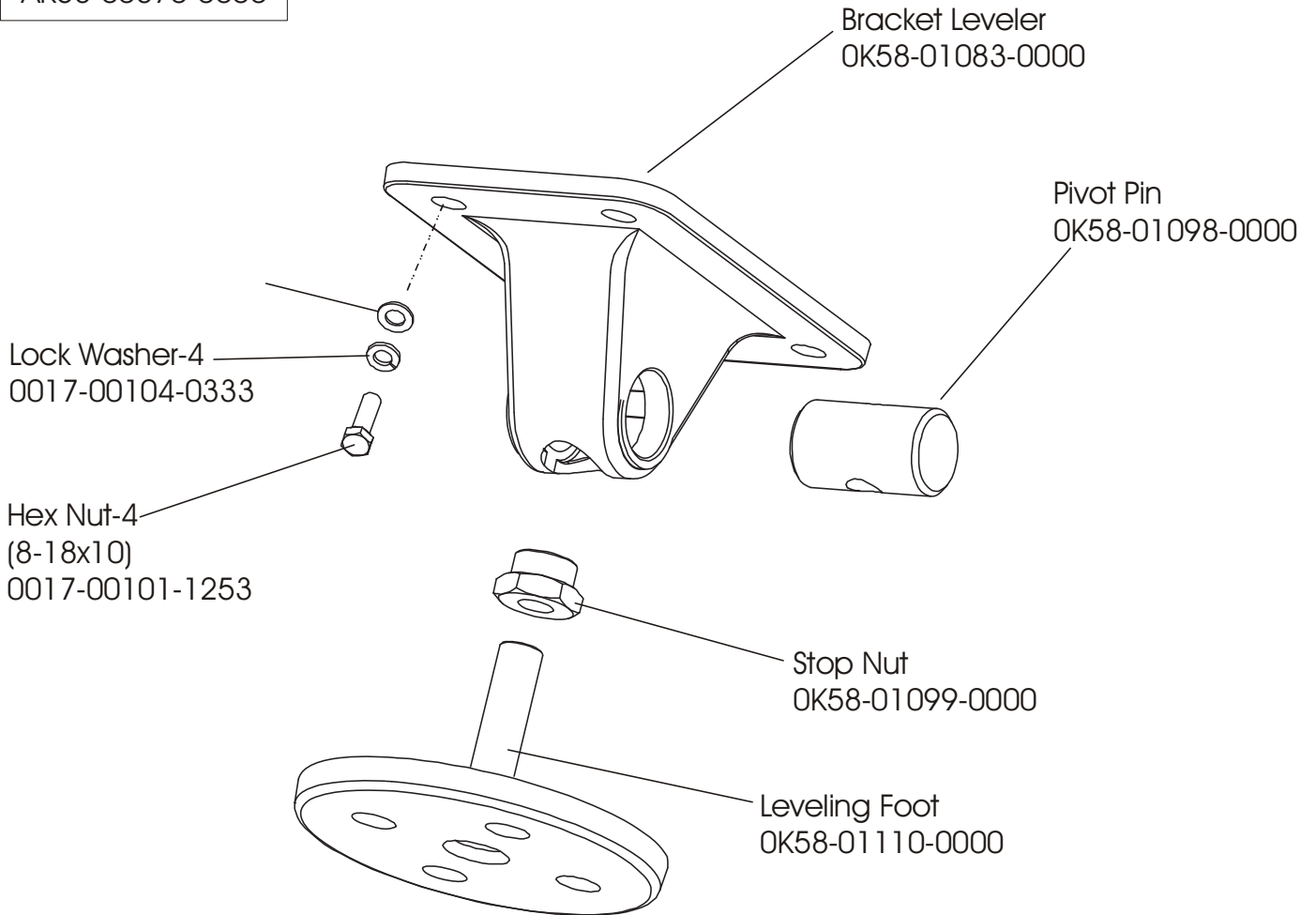
TR91-0100-34



**TR91 Treadmill
Leveler Assembly**

TR91-0100-34

Leveler Assembly
AK58-00370-0000



TR91 Treadmill
Front Roller Assy – AK58-00066-0000

TR91-0100-34

Front Roller Assembly
AK58-00066-0000

